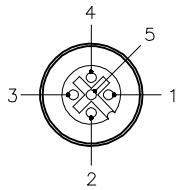
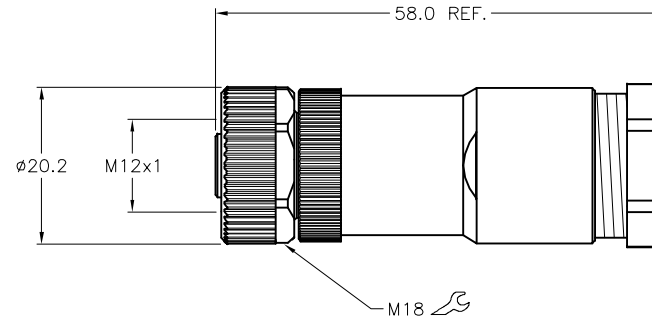


FEMALE END VIEW



SPECIFICATIONS

HOUSING MATERIAL/COLOR	NYLON/BLACK
CONTACT MATERIAL/PLATING	BRASS/GOLD
COUPLING NUT MATERIAL/PLATING	BRASS/NICKEL
RATED CURRENT [A]	4.0 A
RATED VOLTAGE [V]	60 V
MAXIMUM WIRE SIZE	18 AWG
CABLE GRIP RANGE	8-11mm
TEMPERATURE RATING	-40°C to +85°C (-40°F to +185°F)
PROTECTION CLASS	MEETS IEC IP67



SOURCE DRAWING - FOR REFERENCE ONLY

RELATED DOCUMENTS 1. 2. 3. 4.	3RD ANGLE PROJECTION 	THIS DRAWING IS CONFIDENTIAL AND THE PROPERTY OF TURCK INC. USE OF THIS DOCUMENT WITHOUT WRITTEN PERMISSION IS PROHIBITED.		3000 CAMPUS DRIVE MINNEAPOLIS, MN 55441 1-800-544-7769 (763) 553-7300 (763) 553-0708 fax www.turck.us	
	MATERIAL SEE SPECIFICATIONS	DRFT RWC APVD	DATE 01/27/05 SCALE 1=1.0	DESCRIPTION B 8151-0/8-11MM	
FINISH SEE SPECIFICATIONS	UNIT OF MEASUREMENT MILLIMETERS	CONTACT TURCK FOR MORE INFORMATION		IDENTIFICATION NO. U2-02020	REV
I UPDATE COUPLING NUT SPECS AND DWG DEPICTION	RDS 07/20/22	77784			
REV DESCRIPTION	BY DATE	ECO NO.	DO NOT SCALE THIS DRAWING		
			FILE: U2-02020	SHEET 1 OF 1	